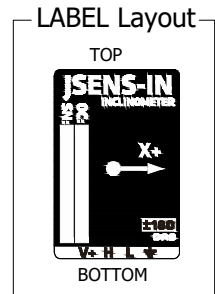
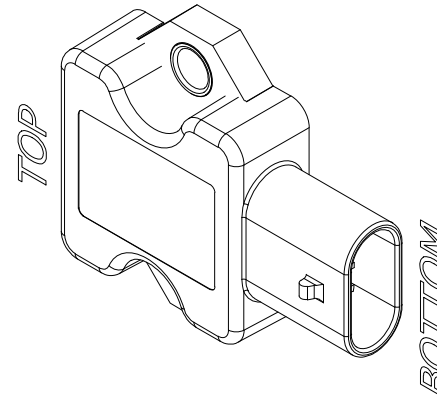
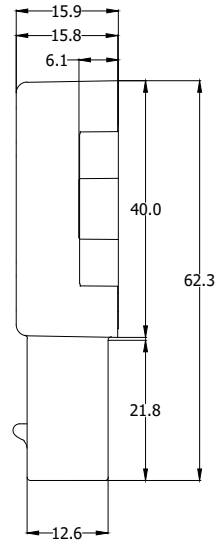
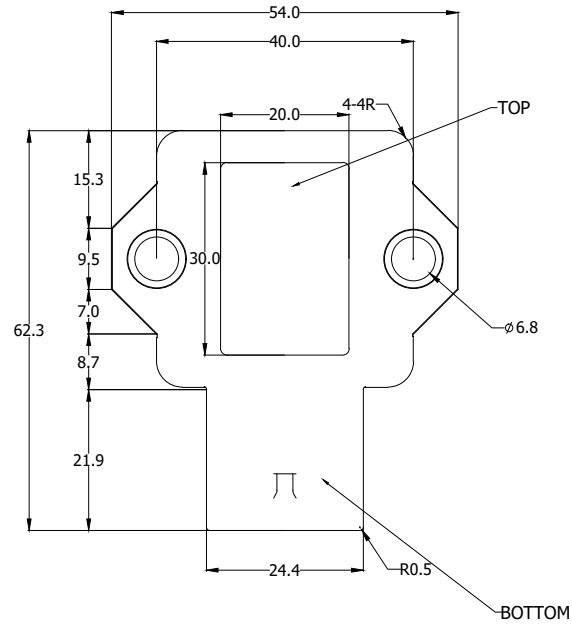


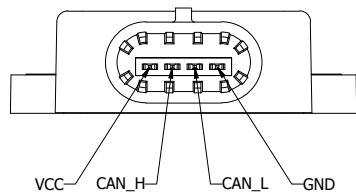
Revi si on Li st

Mar k	Descr i pt i on	Md i f i e r	Appr ov.	Dat e.



Product Name	JSENS-IN
Power Source	DC 24V(10~32)
Mechanical Life	Infinite
Waterproof Level	Same level as IPX6
Operating Temperature	-20~+85℃(-30℃ Tested OK)
Weight	40±5 grams(approx.)
Dimensions	W40 X D40 X H16 mm
Cable Spec.	4C X AWG20
Connector	Support to Delphi 12162833
Material	PC + Glass Fiber 20%
Coating	Spray Coating (Black)
RoHS	IEC62321-1EN-50581

Order Code	Drawing No.	Resistor
JSENS-IN-S-CO-W-NC-208H	RE91-00056	X
JSENS-IN-S-CO-W-NC-209H	RE91-00057	X
JSESN-IN-S-W-C-20AH	RE91-00058	O



Harness Connector Information  
 Company : DELPHI  
 Part No. : 12162833  
 Desc. : 4Way gray metri-pack 150.2 sealed female connector assembly

Important : Should be use 'Connector 12162833 of Delphi' Only.

Repl aceabl e mat eri al s		Date. 2016.06.14		Name	
Common tolerance Deci mal Ang l e Fract i on	±0.1 ±0.5	Appr oval Dep.	Laboratory	DAS	
Material		Checked.	Appr oval Hyun Chul	Assembly, JSENS	
Heat treatment		Drawn.	Accopt. Dae Hyun		
Coating		Design Dept.	Laboratory	Size	DWG No. DAS-TD606-17
Scale	1/1 Unit mm	Weight	g	A3	Sheet 1 of 1